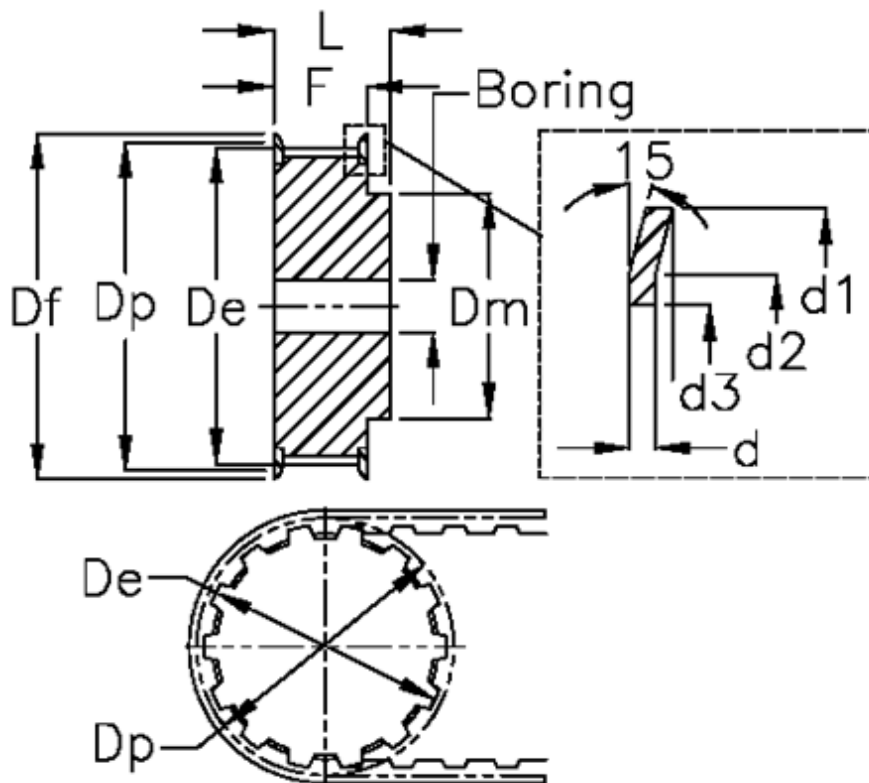


Article number: 604146024037

Description: Timing belt pulley with hub
24 XL 037

Measures



d = 1	F = 14.3	Width = XL 037
d1 = 44	Flange type = F17	
d2 = 40.5	L = 22.2	
d3 = 32.5	Max bore = 20.6	
De = 38.3	Pitch = 1/5"	
Df = 44	Pre-drilled = 6	
Dm = 27	Tooth number = 24	
Dp = 38.81	Weight = 0.12	